

**Wavin**

**Wavin-Compresiune**

**Catalog de produse**

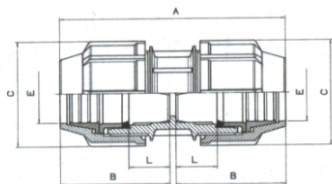


**Fitinguri de compresiune apa**

**Solutii inovative pentru**

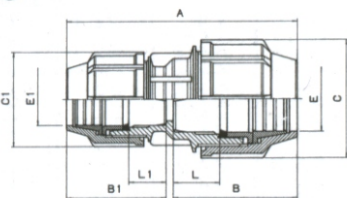
**Utilitati**

## Mufa



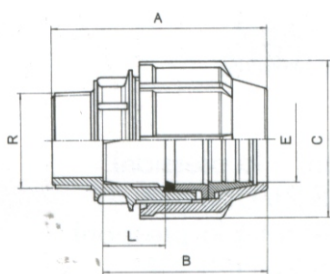
Cod	d x d	g	A	B	C	E	L
496200	16x16	77	114	55	46	22	16.5
496201	20x20	71	114	55	46	22	15
469202	25x25	113	126	60	54	28	18
496203	32x32	159	131	64	64	34.5	18
496204	40x40	371	175	86	81.5	43.5	26
496205	50x50	498	195	96	93	53.5	26.5
496206	63x63	995	248	122	117	65	41.5
496207	75x75	1385	290	143	134	77.5	53.5
496208	90x90	2310	322	158	160	93	61
496209	110x110	3160	362	178	181	113	71

## Mufa redusa



Cod	d x d	g	A	B	C	E	L	B1	C1	E1	L1
496410	20x16	75	116	55.5	46	22	15	56	46	22	17
496421	25x20	105	133	62.5	54	28	20.5	55.5	46	22	15
496432	32x25	144	130	65	64	34.5	18	59	54	28	18
496442	40x25	276	160	93.5	81.5	43.5	34	63	54	28	21
496443	40x32	289	164	94	81.5	43.5	34	66	64	34.5	21.5
496453	50x32	383	175	102.5	93	53	34	69	64	34.5	24.5
496454	50x40	479	204	102.5	93	53	33.5	97	81.5	43.5	37.5
496465	63x50	749	216	117	117	65	38	96	93	53	27.5
496476	75x63	1162	249	129	134	77.5	48	116	117	65	37
496486	90x63	1785	355	188	160	93	87	160	117	65	82
496487	90x75	1985	366	188	160	93	87	174.5	134	77.5	94
496498	110x90	2780	411	211	181	113	92.5	195	160	93	87

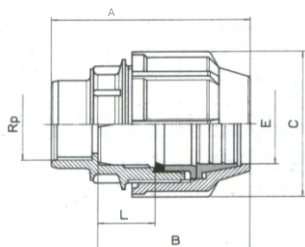
## Mufa mixta filet exterior



Cod	d x R	g	A	B	C	E	L
494020	16x1/2	43	76	58	46	22	20
494030	16x3/4	45	76	58	46	22	20
494120	20x1/2	40	76	56	46	22	15
494130	20x3/4	42	77	55	46	22	15
494220	25x1/2	63	83	63	54	28	20
494230	25x3/4	64	84	63	54	28	20
494240	25x1	67	86	64	54	28	21
494330	32x3/4	87	88	68	64	34.5	19.5
494340	32x1	89	92	70	64	34.5	20.5
494350	32x1 ¼	93	94	70	64	34.5	27.5
494440	40x1	206	113	87	81.5	43.5	27.5
494450	40x1 ¼	207	114.5	87	81.5	43.5	27
494460	40x1 ½	211	114.5	87	81.5	43.5	29.5
494550	50x1 ¼	287	126.5	99	93	53.5	29.5
494560	50x1 ½	284	126	99	93	53.5	29.5
494570	50x2	292	132	99	93	53.5	29.5
494660	63x1 ½	550	154	119	117	65	41
494670	63x2	555	156	119	117	65	41
494680	63x2 ½	569	160	119	117	65	41
494770	75x2	748	173	136	134	77.5	56
494780	75x2 ½	748	174	136	134	77.5	56
494790	75x3	772	178	136	134	77.5	56
494870	90x2	1287	205	168	160	93	68
494880	90x2 ½	1345	210	168	160	93	68
494890	90x3	1310	210	168	160	93	68
494894	90x4	1358	216	168	160	93	68
494990	110x3	1719	226	178	181	113	71
494994	110x4	1773	231	178	181	113	71

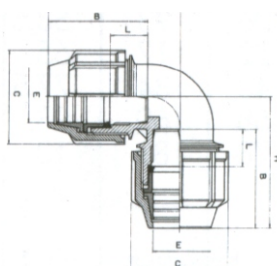


## Mufa mixta filet interior



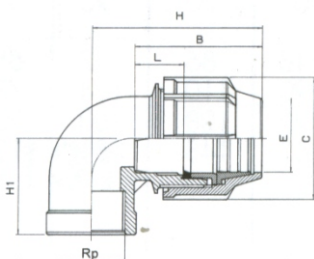
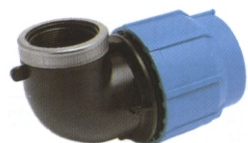
Cod	d x R	g	A	B	C	E	L
495020	16x1/2	46	78	54	46	22	15
495030	16x3/4	53	78	52	46	22	13
495120	20x1/2	43	78	58	46	22	17
495130	20x3/4	49	78	56.5	46	22	15.5
495220	25x1/2	76	86	60.5	57	27.5	18
495230	25x3/4	79	86	60.5	57	27.5	18
495240	25x1	84	86	60.5	57	27.5	18
495330	32x3/4	114	95	67	67	34	20
495340	32x1	117	95	67	67	34	20
495350	32x1 1/4	136	96	67	67	34	20
495440	40x1	211	111	87	81.5	43.5	27.5
495450	40x1 1/4	231	116	87	81.5	43.5	27.5
495460	40x1 1/2	243	116	87	81.5	43.5	27.5
495550	50x1 1/4	313	129	99	93	53.5	29.5
495560	50x1 1/2	316	128	99	93	53.5	29.5
495572	50x2	394	133	99	93	53.5	29.5
495660	63x1 1/2	588	158	128	117	65	50.5
495670	63x2	605	161	128	117	65	50.5
495770	75x2	792	169	135.5	134	77.5	55.5
495780	75x2 1/2	844	174	135.5	134	77.5	55.5
495870	90x2	1294	208	170	160	93	68
495880	90x2 1/2	1345	210	170	160	93	68
495890	90x3	1358	210	170	160	93	68
495990	110x3	1556	215	170	181	113	48
495994	110x4	1590	215	170	181	113	48

## Cot la 90°



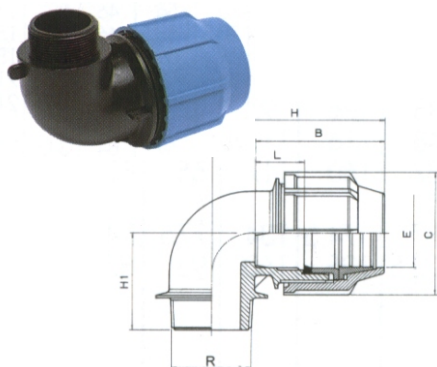
Cod	d x d	g	B	C	E	L	H
496800	16x16	84	58	46	22	18	71
496801	20x20	76	58	46	22	18	71
496802	25x25	129	60	57	27.5	17	76.5
496803	32x32	195	67	67	34	19.5	88
496804	40x40	396	86	81.5	43.5	27	117
496805	50x50	547	96.5	93	53	28	128
496806	63x63	1096	114	117	65	35	160
496807	75x75	1496	129	134	77.5	48	178
496808	90x90	2694	163	160	93	62	235
496809	110x110	3450	168	181	113	57	250

## Cot mixt cu filet interior



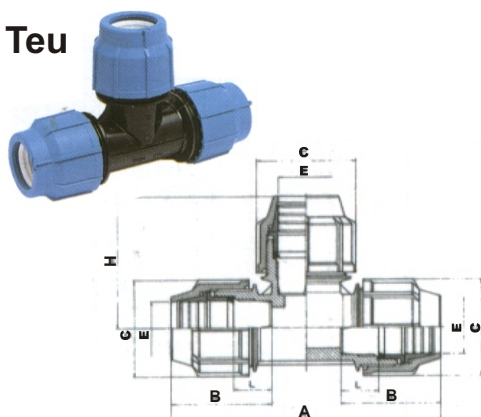
Cod	d x d	g	B	C	E	L	H	H1
497020	16x1/2	59	58	46	22	18	71	48
497030	16x3/4	64	58	46	22	18	71	53
497120	20x1/2	56	58	46	22	18	71	53
497130	20x3/4	60	58	46	22	18	71	48
497220	25x1/2	99	60	57	27.5	17.5	76	53
497230	25x3/4	93	60	57	27.5	17.5	77	53
497240	25x1	97	60	57	27.5	17.5	77	60
497320	32x1/2	160	68	67	34	22	86.5	59.5
497330	32x3/4	151	68	67	34	31.5	86.5	59.5
497340	32x1	139	68	67	34	21.5	86.5	59.5
497350	32x1 1/4	151	68	67	34	21.5	86.5	59.5
497440	40x1	263	87	81.5	43.5	27	120	53
497450	40x1 1/4	264	87	81.5	43.5	27	120	53
497460	40x1 1/2	279	83	81.5	43.5	27	120	53
497560	50x1 1/2	382	96.5	93	53	28	130	62
497570	50x2	418	96.5	93	53	28	130	75
497670	63x2	753	114	117	65	35	160	70
497780	75x2 1/2	1010	129	134	77.5	48	178	75
497890	90x3	1705	163	160	93	62	235	100
497994	100x4	2216	168	181	113	57	250	116

## Cot mixt filet exterior



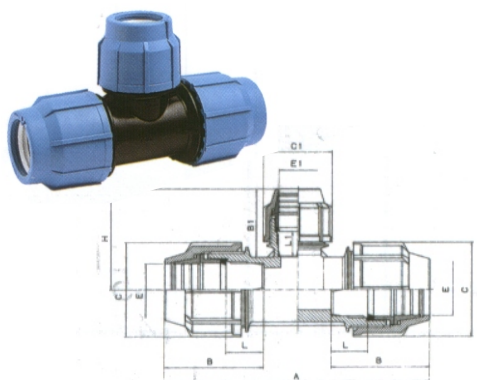
Cod	d x d	g	B	C	E	L	H	H1
498020	16x1/2	54	58	46	22	18	71	52
498030	16x3/4	56	58	46	22	19	71	50
498120	20x1/2	52	58	46	22	18	71	50
498130	20x3/4	53	58	46	22	18	71	50
498220	25x1/2	77	62.5	54	28	20.5	77	53
498230	25x3/4	78	60	57	27.5	17	76.5	53
498240	25x1	83	62.5	57	27.5	20.5	76.5	53
498340	32x1	132	68	67	34	21.5	88	60
498450	40x1 1/4	265	86	81.5	43.5	27	117	73
498460	40x1 1/2	267	86	81.5	43.5	27	117	73
498550	50x1 1/4	386	96.5	93	53	28	128	78
498560	50x1 1/2	381	96.5	93	53	28	128	80
498670	63x2	712	114	117	65	35	160	82

## Teu



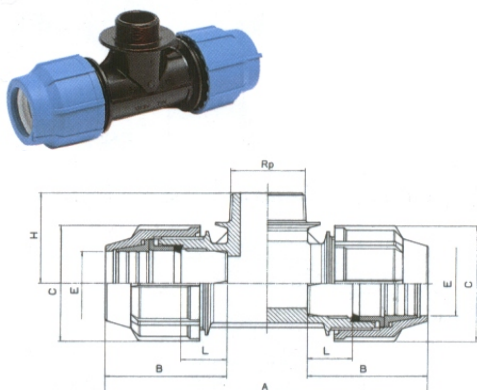
Cod	d x d x d	g	A	B	C	E	L	H
491000	16x16x16	129	142	57	46	22	18	70
491001	20x20x20	113	143	58	46	22	18	72
491002	25x25x25	200	153	60	57	27.5	17.5	76.5
491003	32x32x32	303	175	66	67	34	19.5	87
491004	40x40x40	598	238	88	81.5	43.5	27	118
491005	50x50x50	826	259	96	93	53	27.5	128
491006	63x63x63	1537	317	113	117	65	35	160
491007	75x75x75	2205	360	129	134	77.5	48	180
491008	90x90x90	3900	472	183	160	93	82	140
491009	110x110x110	4875	512	193	181	113	80	260

## Teu redus



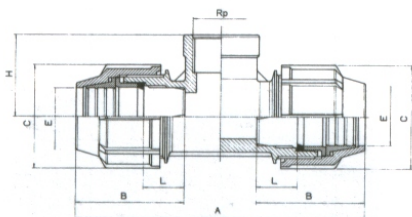
Cod	d x d x d	g	A	B	C	E	L	H	B1	C1	E1	L1
491021	25x20x25	160	153	58	54	28	17	76	57.5	46	22	18
491032	32x25x32	194	155	59	54	28	17	80	65	64	34.5	19
491043	40x32x40	512	238	87	81.5	43.5	27	97	66	64	34.5	21
491054	50x40x50	776	259	96	93	53	27.5	125	94	81.5	43.5	38
491065	63x50x63	1376	317	113	117	65	35	130	90	93	53	28
491076	75x63x75	2009	360	129	134	77.5	48	163	113	117	65	35

## Teu mixt filet exterior



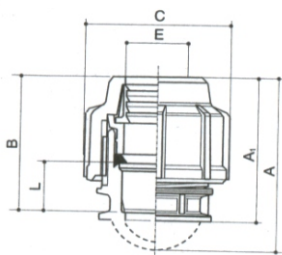
Cod	d x d x Rp	g	A	B	C	E	L	H
492020	16x16x1/2	96	142	58	46	22	19	50
492120	20x20x1/2	89	143	58	46	22	18	50
492130	20x20x3/4	89	143	58	46	22	18	50
492220	25x25x1/2	135	153	58	54	28	17	52
492230	25x25x3/4	136	153	58	54	28	17	54
492240	25x25x1	133	153	58	54	28	17	52
492330	32x32x3/4	211	175	66	67	34	19.5	60
492340	32x32x1	225	175	66	67	34	19.5	60
492450	40x40x1 1/4	460	238	88	81.5	43.5	27	73
492560	50x50x1 1/2	637	259	96	93	53	27.5	80
492670	63x63x2	1264	317	113	117	65	35	82

## Teu mixt filet interior



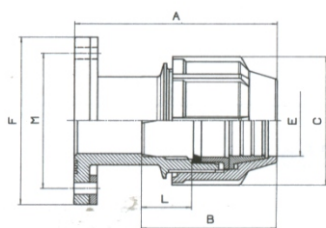
Cod	d x d x Rp	g	A	B	C	E	L	H
493020	16x16x1/2	101	142	57	46	22	18	48
493030	16x16x3/4	106	142	58	46	22	19	53
493120	20x20x1/2	94	143	58	46	22	18	48
493130	20x20x3/4	98	143	58	46	22	18	53
493220	25x25x1/2	147	153	59	54	28	17	52
493230	25x25x3/4	149	153	60	57	27.5	17.5	37
493240	25x25x1	149	153	59	54	28	17	59
493320	32x32x1/2	228	175	66	67	34	19.5	41
493330	32x32x3/4	226	175	66	67	34	19.5	41
493340	32x32x1	231	175	66	67	34	19.5	43
493350	32x32x1 1/4	239	175	66	67	34	19.5	46
493440	40x40x1	457	238	87	81.5	43.5	27	53
493450	40x40x1 1/4	459	238	87	81.5	43.5	27	53
493460	40x40x1 1/2	476	238	83	81.5	43.5	24	53
493550	50x50x1 1/4	639	260	96.5	93	53	27.5	62.5
493560	50x50x1 1/2	659	260	96.5	93	53	27.5	62.5
493570	50x50x2	687	260	96.5	93	53	27.5	75
493660	63x63x1 1/2	1156	317	113	117	65	35	70
493670	63x63x2	1217	317	113	117	65	35	70
493780	75x75x2 1/2	1682	360	129	134	77.5	48	75
493890	90x90x3	2993	472	183	160	93	82	101
493994	110x110x4	3746	512	193	181	113	80	115

## Dop



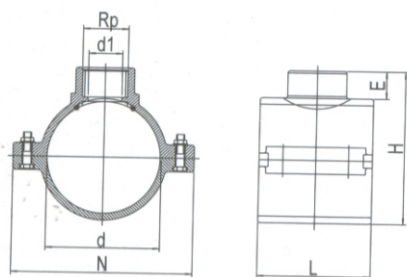
Cod	d	g	A	H	B	C	E	L
496600	16	41	62	62	59.5	45.5	22	20
496601	20	38	62	62	59.5	45.5	22	17.5
496602	25	62	68	68	63	54	27.5	19.5
496603	32	84	69	69	64.5	64	34	18
496604	40	209	112	92.5	87	81.5	43.5	27.5
496605	50	292	129	105	99	93	53.5	29.5
496606	63	574	160	132	122	117	65	41.5
496607	75	780	180	147	138.5	134	77.5	55.5
496608	90	1343	220	181	173	160	93	68
496609	110	1780	234	195	184	182	114	71

## Adaptor de flansa



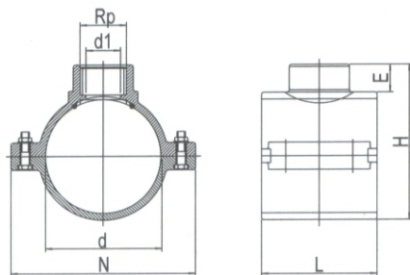
Cod	d	g	A	B	C	E	L	M	F
496020	50x2	1291	170	152	93	53	84	125	174
496030	63x2	1560	193	126	117	65	47.5	125	174
496040	75x2 1/2	2005	197	185	134	77.5	104	145	185
496050	90x3	2623	232	166	160	93	65	160	200
496060	90x4	2866	232	166	160	93	65	181	220
496070	110x4	3156	239	220	181	113	107	181	220

Colier de bransare cu inel de intarire



Cod	d x Rp	d1	N	L	H	E	Suruburi	
							Nr.	Tip
499210	25x 1/2	12.5	79	49	58	20	2	M8x30
499211	25x 3/4	12.5	79	49	58	20	2	M8x30
499215	32x 1/2	14	79	49	62	20	2	M8x30
499216	32x 3/4	14	79	49	62	20	2	M8x30
499217	32x1	14	87	62	70	20	2	M8x40
499220	40x 1/2	20.5	86	62	71	20	2	M8x40
499221	40x 3/4	20.5	86	62	71	20	2	M8x40
499222	40x1	20.5	86	62	70	19	2	M8x40
499225	50x 1/2	20.5	86	62	82	20	2	M8x40
499226	50x 3/4	20.5	86	62	82	20	2	M8x40
499227	50x1	20.5	86	62	82	20	2	M8x40
499228	50x1 1/4	20.5	86	62	82	20	2	M8x40
499230	63x 1/2	18	101	62	96	21	4	M8x40
499231	63x 3/4	24	101	62	96	21	4	M8x40
499232	63x1	31	101	62	96	21	4	M8x40
499233	63x1 1/4	31	101	62	96	21	4	M8x40
499234	63x1 1/2	31	101	62	96	21	4	M8x40
499240	75x 1/2	16	123	79	102	14	4	M8x60
499241	75x 3/4	21	123	79	102	14	4	M8x60
499242	75x1	27	123	79	102	14	4	M8x60
499243	75x1 1/4	35	123	79	102	14	4	M8x60
499244	75x1 1/2	42	123	79	102	14	4	M8x60
499245	75x2	53	123	79	102	14	4	M8x60
499250	90x 1/2	16	138	87	116	14	4	M8x60
499251	90x 3/4	21	138	87	116	14	4	M8x60
499252	90x1	27	138	87	116	14	4	M8x60
499253	90x1 1/4	35	138	87	116	14	4	M8x60
499254	90x1 1/2	42	138	87	116	14	4	M8x60
499255	90x2	53	138	87	116	14	4	M8x60
499261	110x 3/4	20	152	99	150	23	4	M8x50
499262	110x1	26	152	99	150	23	4	M8x50
499263	110x1 1/4	35	152	99	150	23	4	M8x50
499364	110x1 1/2	42	152	99	150	23	4	M8x50
499365	110x2	53	152	99	150	23	4	M8x50
499272	125x1	26	166	101	168.5	23.5	4	M8x50
499273	125x1 1/4	35	166	101	168	23	4	M8x50
499274	125x1 1/2	40.5	166	101	168	23	4	M8x50
499275	125x2	50	166	101	168	23	4	M8x50
499292	160x1	30	226	114	215	24	4	M8x70
499293	160x1 1/4	37	226	114	215	24	4	M8x70
499294	160x1 1/2	45	226	114	215	24	4	M8x70
499295	160x2	50.5	226	114	215	24	4	M8x70
499297	160x3	84	228	142	222	38	6	M8x70

Colier de bransare

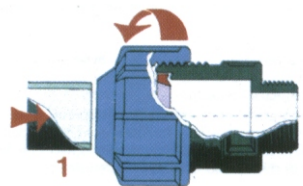


Cod	d x Rp	d1	N	L	H	E	Suruburi	
							Nr.	Tip
499010	25x 1/2	11.5	79	49	61	20	2	M8x30
499011	25x 3/4	11.5	79	49	61	20	2	M8x30
499015	32x 1/2	14	79	49	62	20	2	M8x30
499017	32x 1	17	87	62	70	20	2	M8x40
499020	40x 1/2	20.5	86	62	71	20	2	M8x40
499021	40x 3/4	20.5	86	62	71	20	2	M8x40
499022	40x 1	20.5	86	62	70	19	2	M8x40
499025	50x 1/2	20.5	86	62	82	20	2	M8x40
499026	50x 3/4	20.5	86	62	82	20	2	M8x40
499027	50x 1	20.5	86	62	82	20	2	M8x40
499028	50x 1 1/4	20.5	86	62	82	20	2	M8x40
499030	63x 1/2	18	101	62	96	21	4	M8x40
499031	63x 3/4	24	101	62	96	21	4	M8x40
499032	63x 1	31	101	62	96	21	4	M8x40
499033	63x1 1/4	31	101	62	96	21	4	M8x40
499034	63x1 1/2	31	101	62	96	21	4	M8x40
499040	75x 1/2	16	123	79	102	14	4	M8x60
499041	75x 3/4	21	123	79	102	14	4	M8x60
499042	75x 1	27	123	79	102	14	4	M8x60
499043	75x1 1/4	35	123	79	102	14	4	M8x60
499044	75x1 1/2	42	123	79	102	14	4	M8x60
499045	75x 2	53	123	79	102	14	4	M8x60
499050	90x 1/2	16	138	87	116	14	4	M8x60
499051	90x 3/4	21	138	87	118	16	4	M8x60
499052	90x 1	27	138	87	121	19	4	M8x60
499053	90x1 1/4	35	138	87	123	21	4	M8x60
499054	90x1 1/2	42	138	87	123	21	4	M8x60
499055	90x 2	53	138	87	123	24	4	M8x60
499061	110x 3/4	20	152	99	150	23	4	M8x50
499062	110x 1	26	152	99	150	23	4	M8x50
499063	110x1 1/4	35	152	99	150	23	4	M8x50
499064	110x1 1/2	41	152	99	150	23	4	M8x50
499065	110x 2	51	152	99	150	23	4	M8x50
499080	140x 1/2	18	207	114	191	25	4	M8x70
499085	140x 2	50	207	114	190	24	4	M8x70
499090	160x 1/2	18	226	114	215	24	4	M8x70
499091	160x 3/4	24	226	114	215	24	4	M8x70
499092	160x 1	30	226	114	215	24	4	M8x70
499093	160x1 1/4	37	226	114	215	24	4	M8x70
499094	160x1 1/2	45	226	114	215	24	4	M8x70
499095	160x 2	50.5	226	114	215	24	4	M8x70

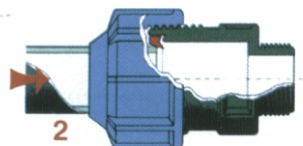


# Instructiuni de montaj

## 1. Racorduri de compresiune



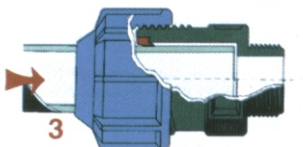
1. Se taie teava drept, fara colturi. Ungeti putin garnitura de cauciuc in cazul in care aceasta este uscata. Se desurubeaza partial piulita de strangere.



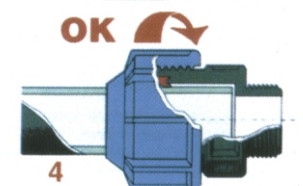
2. Se impinge teava prin piulita de strangere si prin inelul de strangere pana la primul obstacol, asta insemnand ca a atins inelul de cauciuc.



ATENTIE! A nu se insuruba piulita de strangere in acest caz.



3. Se impinge teava prin inelul de cauciuc pana ajunge la capatul racordului.

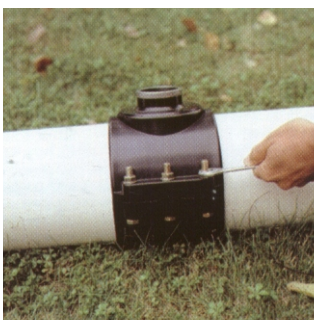


4. Se insurubeaza piulita de strangere. Pana la diametrul de 32 se poate strange cu mana. Pentru diametre mai mari este necesara o cheie de strangere.

## 2. Coliere de bransament



Se fixeaza partea de jos a colierului pe teava in locul dorit. Se fixeaza apoi si partea superioara a colierului dupa care dse prind suruburile.



Atentie! Suruburile trebuie stranse pana la capat. Dupa ce s-au strans bine suruburile se poate gauri teava folosind o masina de gaurit.